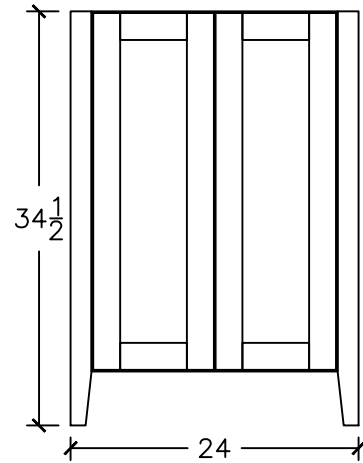
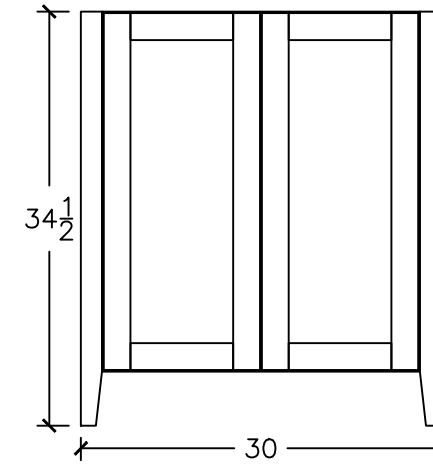


24" Vanity: 2 Doors



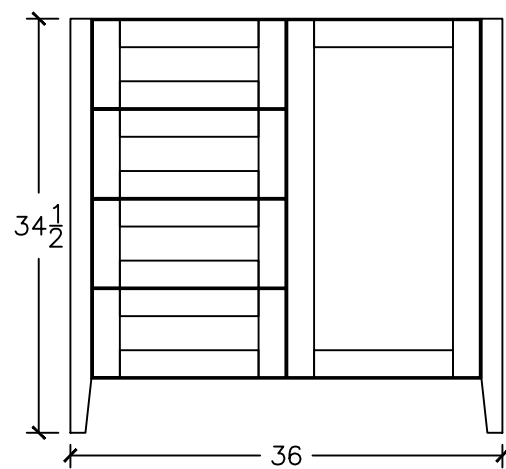
Max Sink Width	19"
Max Sink Depth	19-1/4"
Countertop Width	25-1/2"
Countertop Depth	23"
Backsplash Width	25-1/2"
Backsplash Height	4"
Plumbing	Within 8" of Center

30" Vanity: 2 Doors



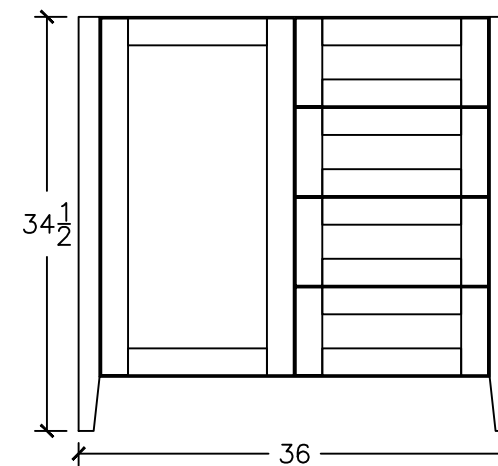
Max Sink Width	25"
Max Sink Depth	19-1/4"
Countertop Width	31-1/2"
Countertop Depth	23"
Backsplash Width	31-1/2"
Backsplash Height	4"
Plumbing	Within 9-1/2" of Center

36" Vanity: 1 False Front // 3 Drawers // 1 Door (Drawer Bank Left)



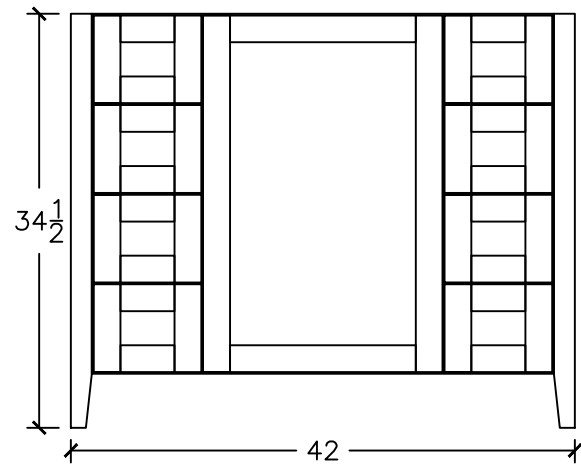
Max Sink Width	31"
Max Sink Depth	19-1/4"
Max Sink Height	7-1/8"
Countertop Width	37-1/2"
Countertop Depth	23"
Backsplash Width	37-1/2"
Backsplash Height	4"
Plumbing	Within 15" right of center

36" Vanity: 1 False Front // 3 Drawers // 1 Door (Drawer Bank Right)



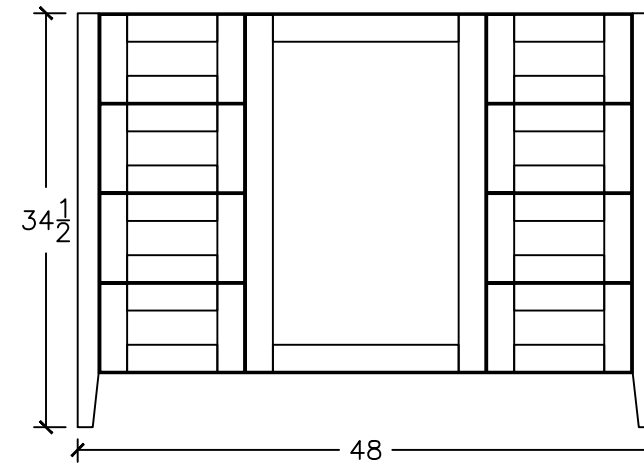
Max Sink Width	31"
Max Sink Depth	19-1/4"
Max Sink Height	7-1/8"
Countertop Width	37-1/2"
Countertop Depth	23"
Backsplash Width	37-1/2"
Backsplash Height	4"
Plumbing	Within 15" left of center

42" Vanity: 8 Drawers // 1 Door



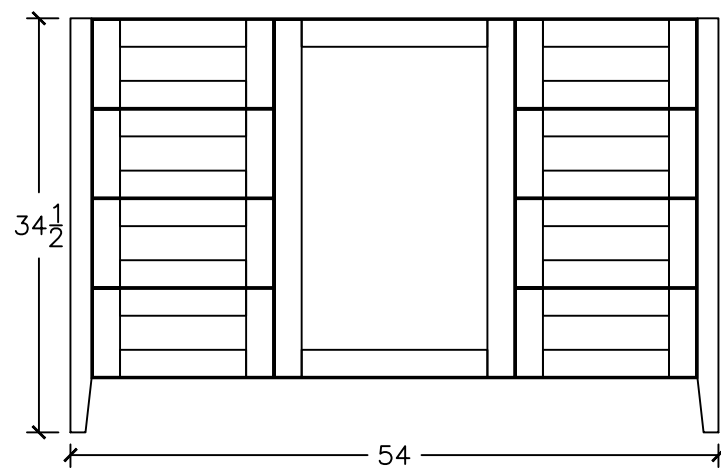
Max Sink Width	19"
Max Sink Depth	19-1/4"
Countertop Width	43-1/2"
Countertop Depth	23"
Backsplash Width	43-1/2"
Backsplash Height	4"
Plumbing	Within 9" of Center

48" Vanity: 8 Drawers // 1 Door



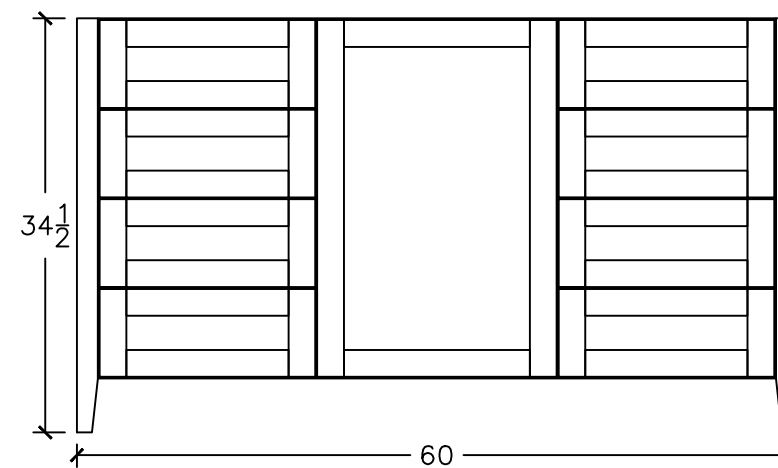
Max Sink Width	19"
Max Sink Depth	19-1/4"
Countertop Width	49-1/2"
Countertop Depth	23"
Backsplash Width	49-1/2"
Backsplash Height	4"
Plumbing	Within 9" of Center

54" Vanity: 8 Drawers // 1 Door



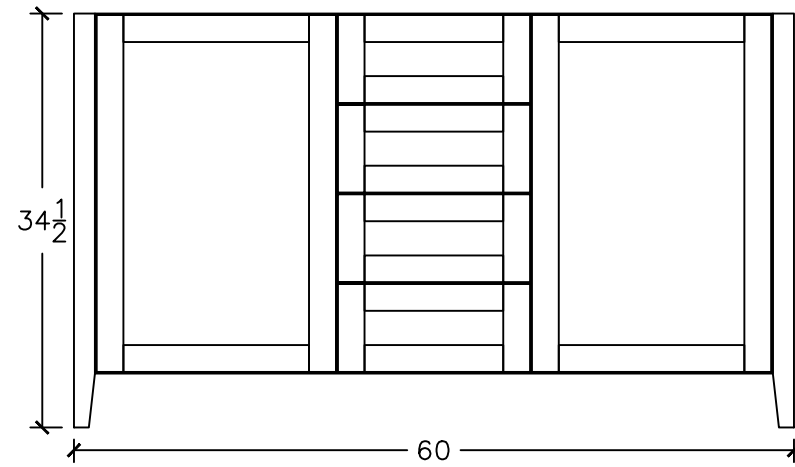
Max Sink Width	19"
Max Sink Depth	19-1/4"
Countertop Width	55-1/2"
Countertop Depth	23"
Backsplash Width	55-1/2"
Backsplash Height	4"
Plumbing	Within 9" of Center

60" Vanity: 8 Drawers // 1 Door



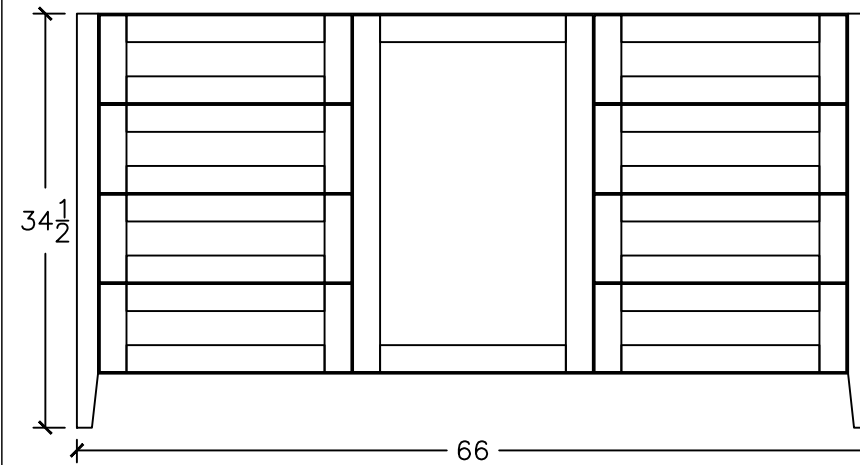
Max Sink Width	19"
Max Sink Depth	19-1/4"
Countertop Width	61-1/2"
Countertop Depth	23"
Backsplash Width	61-1/2"
Backsplash Height	4"
Plumbing	Within 9" of Center

60" Vanity: 4 Drawers // 2 Doors



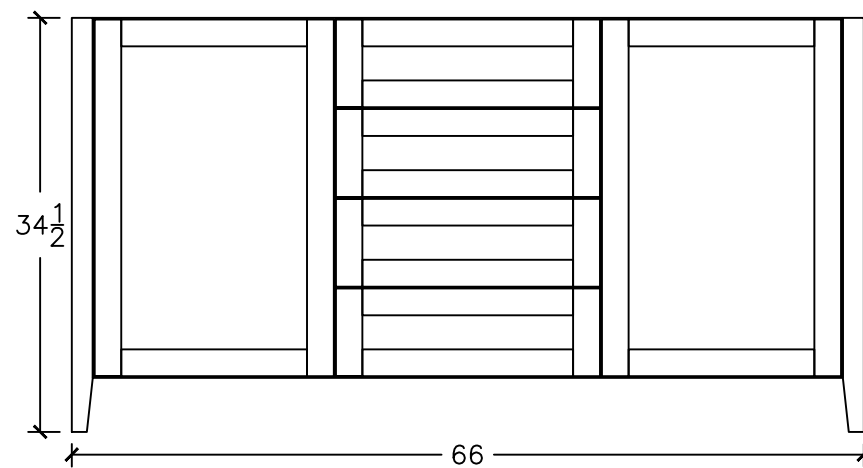
Max Sink Width	19"
Max Sink Depth	19-1/4"
Countertop Width	61-1/2"
Countertop Depth	23"
Backsplash Width	61-1/2"
Backsplash Height	4"
Plumbing	Between 2-1/2" & 21-1/2" from outside edge of cabinet

66" Vanity: 8 Drawers // 1 Door



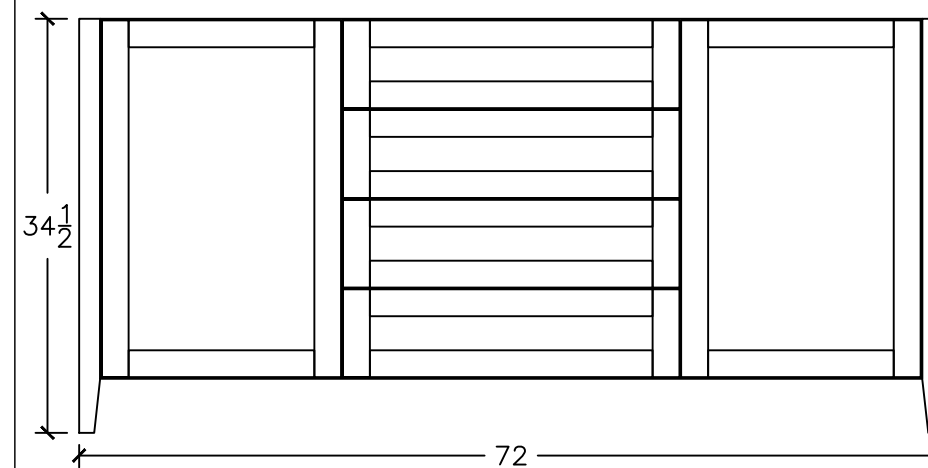
Max Sink Width	19"
Max Sink Depth	19-1/4"
Countertop Width	67-1/2"
Countertop Depth	23"
Backsplash Width	67-1/2"
Backsplash Height	4"
Plumbing	Within 9" of Center

66" Vanity: 4 Drawers // 2 Doors



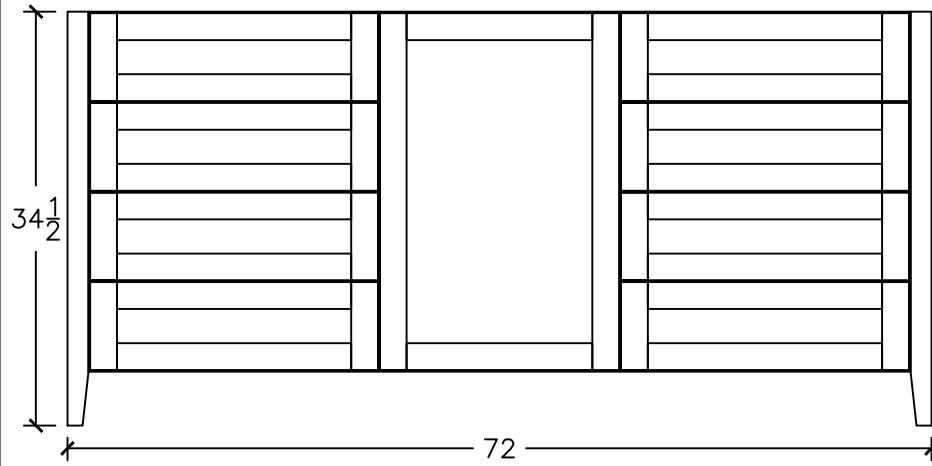
Max Sink Width	19"
Max Sink Depth	19-1/4"
Countertop Width	67-1/2"
Countertop Depth	23"
Backsplash Width	67-1/2"
Backsplash Height	4"
Plumbing	Between 2-1/2" & 21-1/2" from outside edge of cabinet

72" Vanity: 4 Drawers // 2 Doors



Max Sink Width	19"
Max Sink Depth	19-1/4"
Countertop Width	73-1/2"
Countertop Depth	23"
Backsplash Width	73-1/2"
Backsplash Height	4"
Plumbing	Between 2-1/2" & 21-1/2" from outside edge of cabinet

72" Vanity: 8 Drawers // 1 Door



Max Sink Width	19"
Max Sink Depth	19-1/4"
Countertop Width	73-1/2"
Countertop Depth	23"
Backsplash Width	73-1/2"
Backsplash Height	4"
Plumbing	Within 9" of Center

End Panel Detail/Door Profile

Finishing Options:
 Paint- Summer Snow / Gray Peak / Summit White /
 Midnight Blue / Morning Dew / Mountain Shadow
 Clear Coat- White Oak / Walnut
 Stain- Ebony White Oak / Provincial White Oak

Any additional SW or BM colors offered at a \$300 upcharge

